



## Dishwashing

EVO Generation - Concept Plus

### HOOD TYPE DISHWASHER COP-173 B DD

#### DIMENSIONS

		Article	Packed
Length	mm	665,00	870,00
Depth	mm	775,00	950,00
Height	mm	1.540,00	1.750,00
Weigth	Kg	135,00	150,00
Volumen	m3		1,45

#### ELECTRICITY

Electric power	KW	
230V -1+N		17,70
		2x25+T - 100 A
230V - III		3x10+T - 63 A
400V - III+N		4x4+T - 32 A

#### WATER

Water consumption (lit/h)	144,00
Pressure (Kg/cm2)	2 ÷ 4

#### GAS

Not used

#### STEAM

Not used

#### AIR

Not used

#### LEVEL SOUND

(dB) 65

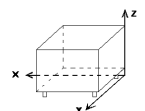
#### DISHWASHER COP-173 B DD

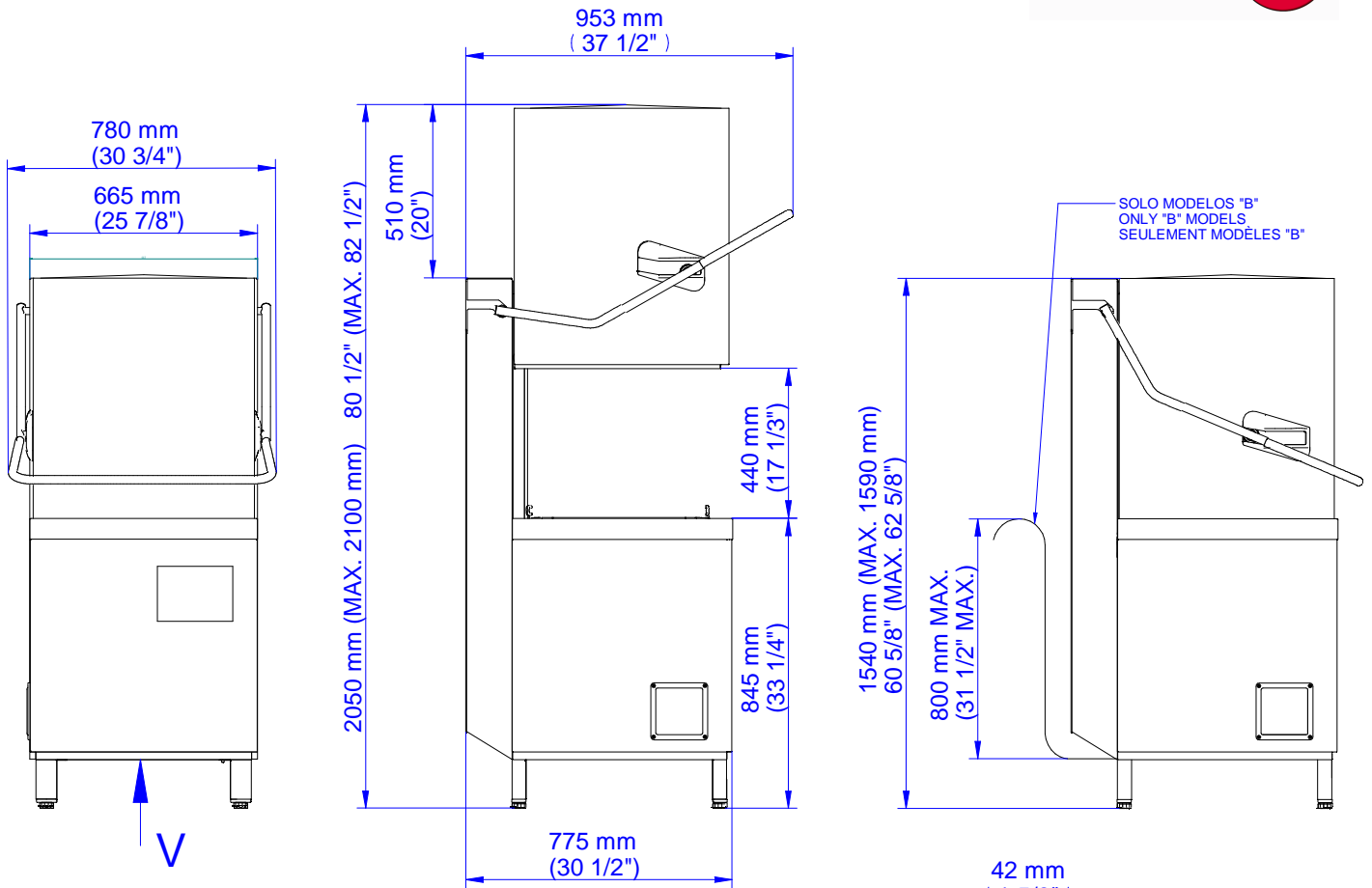
Hood type dishwasher - EVO Generation - Concept Plus range.  
Hourly production: 65 baskets/hour - 1170 dishes/hour.  
Clearance (max ware height): 440 mm.  
Wash cycles: 55" - 75" - 120".

Made of stainless steel.  
Counterbalanced hood.  
Double rotating wash and rinse systems made of stainless steel, above and below.  
Tray filters on the tank, made of AISI-304 stainless steel.  
Two wash pumps, 600 W each.  
Rinsing pump: 260 W. Air break system.  
Drain pump: 70 W. Drainage cycle.  
Tank with 4.5 kW heating power.  
Tank capacity: 34 litres.  
Boiler heating power: 12 kW.  
Boiler capacity: 9 litres.  
Water consumption: 2.4 litres/rinse.  
Thermostatic temperature control: washing at 60°C and rinsing at 90°C.  
Thermo stop system that guarantees minimum rinsing temperature of 85°C.  
Safety thermostats.  
Built-in automatic rinse dispenser and detergent doser.  
Safety magnetic switch for hood opening.  
Adjustable legs.  
Water protection rating: IPX4  
Total maximum power: 17.7 kW.  
Dimensions: 665 x 775 x 1540 mm (2050 mm open hood).

Baskets equipment: 1 x CT-10, 1 x CP-16/18 and 8 cutlery containers.

Connections points	X	Y	Z	Diameter	Information
ELECTRICITY	210	50	65		
SOFT COLD WATER	305	50	65	3/4"	
DRAIN	370	50	65	30 x 25	





SOLO MODELOS "B"  
ONLY "B" MODELS  
SEULEMENT MODÈLES "B"

A: ENTRADA DE AGUA  
E: ALIMENTACIÓN ELÉCTRICA  
D: DESAGÜE

A: WATER INLET  
E: ELECTRICAL CONNECTION  
D: DRAIN

A: ARRIVÉE D'EAU  
E: CONNEXION ÉLECTRIQUE  
D: VIDANGE

V

